



CHARACTERISTICS

Enclosure manufactured from AISI 304L press bent stainless steel material. Mounting plate manufactured from sendzimir sheet steel mounted on the rear cover. Upper cover manufactured from AISI 304L material with sendzimir profiles and mechanical stop. Adjustable cable entry. Item in AISI 316L available on request.

SUPPLY

- control desk
- doors complete with Ø 3 mm double bar key locking system
- mounting plate
- upper cover complete with locking system
- adjustable cable entry.

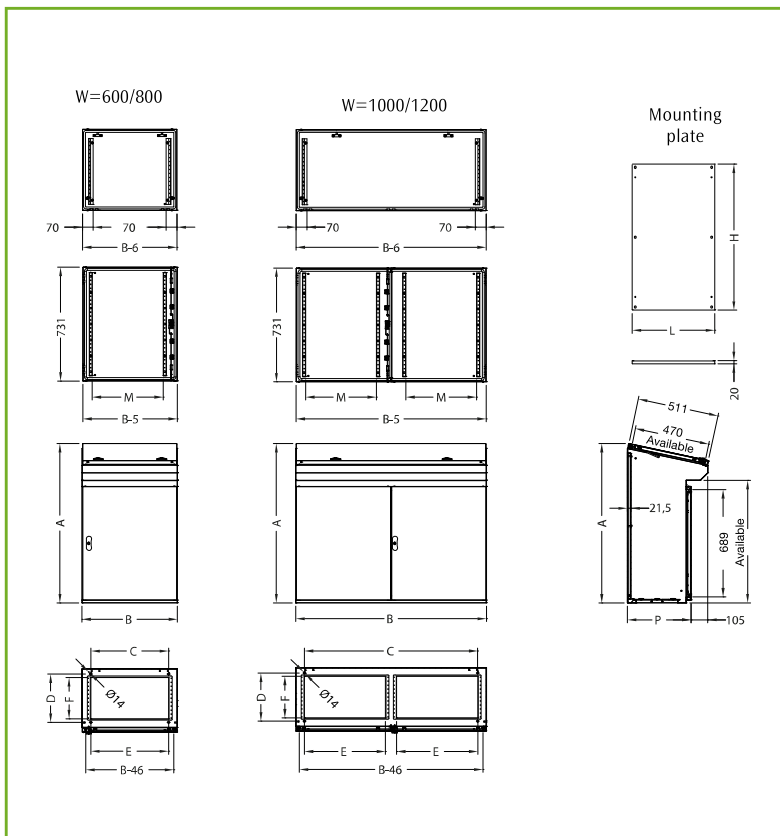
PROTECTION RATING

- IP55
- NEMA 12 complying with UL508A; UL50.

STAINLESS STEEL CONTROL DESKS

ZBX CODE	DIMENSIONS			FLOOR FIXING		CABLE ENTRY		DOOR SPACE	MOUNTING PLATE	
	B	A	P	C	D	E	F	M	L	H
ZBX6-01	600	1000	400	550	310	490	260	445	520	918
ZBX8-01	800	1000	400	750	310	690	260	645	720	918
ZBX0-01	1000	1000	400	950	310	410 (x2)	260	345	920	918
ZBX2-01	1200	1000	400	1150	310	510 (x2)	260	445	1120	918

To order the item in high grade AISI 316L, add the suffix "H" to the code. (i.e.: ZBX6-01H).



Stainless steel

PLINTH EUZX

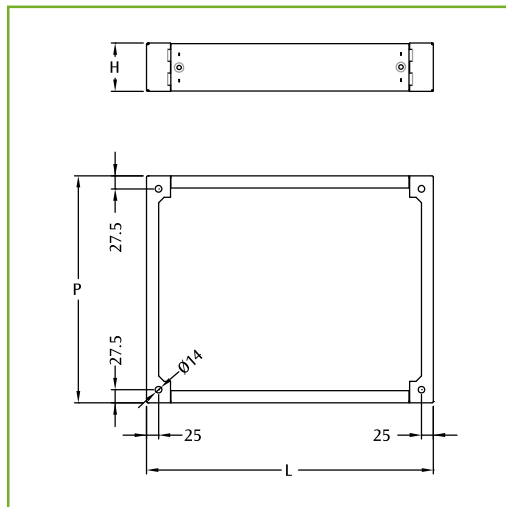
CHARACTERISTICS

Front crosspieces and side crosspieces with integrated corners manufactured from AISI304L stainless steel (AISI316L on request).

SUPPLY

The plinth is made up of:

- front crosspieces: supply includes 2 pieces
- side crosspieces with integrated corners: supply includes 2 pieces with mounting screws.



DIMENSIONAL SPECIFICATIONS

CONTROL DESK DIM.		PLINTH DIM.	
W	D	L	P
600	400	600	365
800	400	800	365
1000	400	1000	365
1200	400	1200	365
1600	400	1600	365

SIDE CROSSPIECES WITH INTEGRATED CORNERS

EUZX CODE	DESCRIPTION	CROSS. HEIGHT MM
EUZX-P0400M	SIDE CROSSPIECES WITH INTEGRATED CORNERS FOR PLINTH D=400	100
EUZX-P0400MD	SIDE CROSSPIECES WITH INTEGRATED CORNERS FOR PLINTH D=400	200

FRONT CROSSPIECES

EUZX CODE	DESCRIPTION
EUZX-L0600M	FRONT CROSSPIECES FOR PLINTH W=600
EUZX-L0800M	FRONT CROSSPIECES FOR PLINTH W=800
EUZX-L1000M	FRONT CROSSPIECES FOR PLINTH W=1000
EUZX-L1200M	FRONT CROSSPIECES FOR PLINTH W=1200
EUZX-L1600M	FRONT CROSSPIECES FOR PLINTH W=1600

To order the plinth H=200 mm, order 2 packages of front crosspieces (i.e. Plinth H=200 mm dim. 800 x 400: 1 x EUZX-P0400MD + 2 x EUZX-L0800M).

To order the item in higher grade AISI316L, add the suffix "H" to the code (i.e. EUZX-P0400MH).

Stainless steel