

ROOF MOUNTING FAN WA250B/WA250VB

Structure, roof and fan ventilator manufactured from sheet steel.

PAINT FINISH

ETA standard finishing cycle: paint-based primer with deposition by cataphoresis with epoxy resin and finishing using thermosetting powders. Colour: RAL 7035 textured finish.

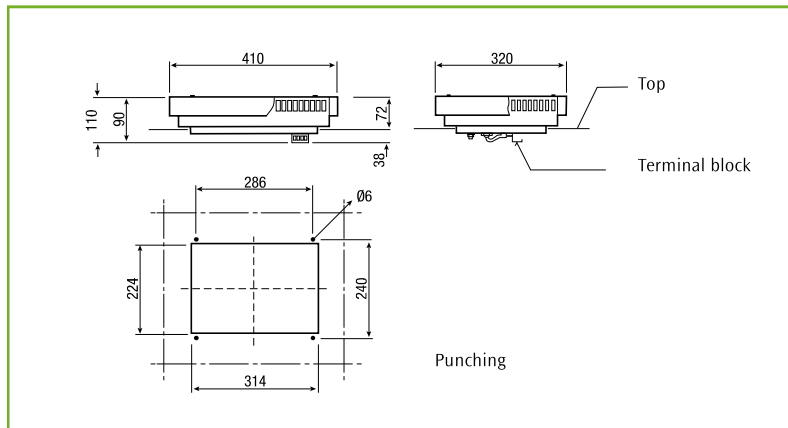


PROTECTION RATING

IP23

SUPPLY

- structure, roof and fan support with sealing gasket and mounting accessories
- radial fan
- finger guard
- capacitor
- terminal block.



ROOF MOUNTING FAN

WA CODE	NOMINAL V/Hz	POWER W	AIR FLOW m ³ /H	MAX HEAD Pa	CONDENSER	NOISE dB(A)
WA250B	220/50-60	75	550	320	2	62
WA250VB	110/50-60	75	550	320	2	62



SHROUD FOR ROOF MOUNTING FAN WA255B

Structure and roof manufactured from sheet steel.

PAINT FINISH

ETA standard finishing cycle: paint-based primer with deposition by cataphoresis with epoxy resin and finishing using thermosetting powders. Colour: RAL 7035 textured finish.



PROTECTION RATING

IP23.

SUPPLY

- structure and roof with sealing gasket
- mounting accessories.

