



The boxes cover a range from 6 to 21 HE and are available in 2 depths with a large cable entry. The locking system operating from the front of the box guarantees the sealing of the enclosure. The excellent appearance is achieved by external tempered glass and locking cover with eye-catching design.

CHARACTERISTICS

Three sections box manufactured from press bent sheet steel. Door manufactured from sheet steel with external tempered glass complete with closing system Ø 3mm double bar key. Supply includes mounting plate manufactured from sendzimir sheet steel.

PAINT FINISH

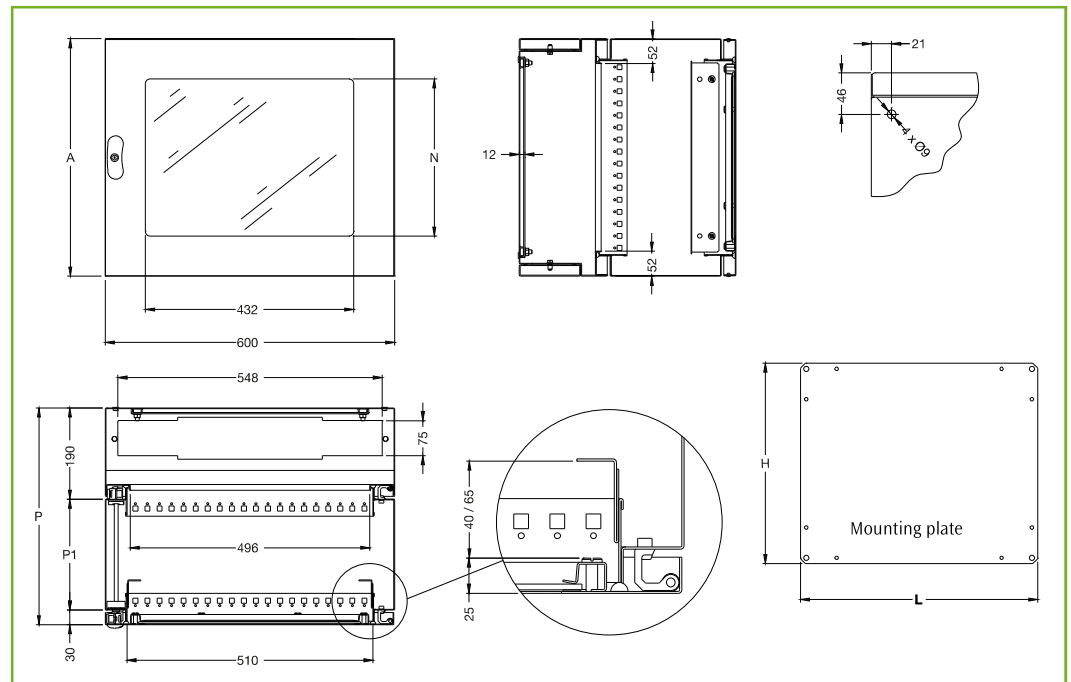
ETA standard finishing cycle: paint-based primer with deposition by cataphoresis with epoxy resin and finishing using thermosetting powders. Colour: RAL 7035 textured finish.



PROTECTION RATING

IP55.

Rack 19"



RACK BOXES

CR CODE	DIMENSIONS			MOUNTING PLATE		HE	N
	A	P	P1	L	H		
CR0645	359	450	230	492	283	6	193
CR0655	359	550	330	492	283	6	193
CR0945	492	450	230	492	416	9	326
CR0955	492	550	330	492	416	9	326
CR1245	626	450	230	492	550	12	460
CR1255	626	550	330	492	550	12	460
CR1545	759	450	230	492	683	15	593
CR1555	759	550	330	492	683	15	593
CR1845	892	450	230	492	816	18	726
CR1855	892	550	330	492	816	18	726
CR2145	1026	450	230	492	950	21	860
CR2155	1026	550	330	492	950	21	860